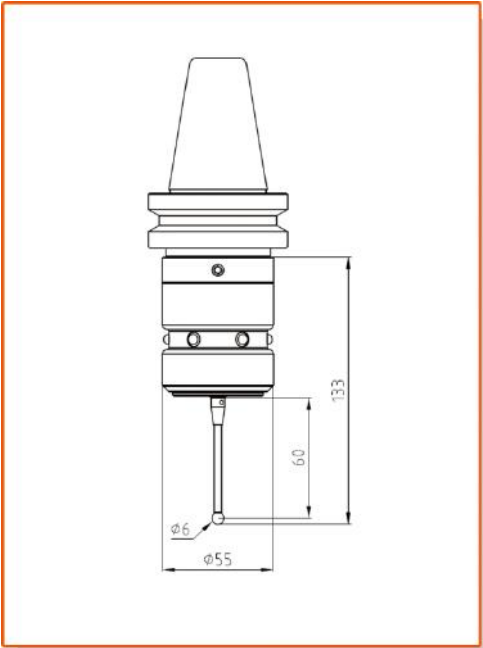
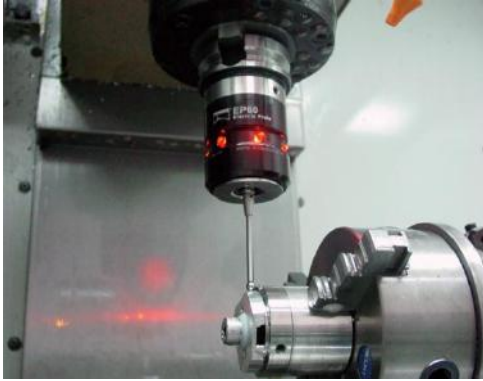


Composition of Probe

EP60 electric probe consists of three pieces:

- 1) The main part of EP60 electric probe (including battery cabin) ;
- 2) The 7:24 taper shank with standard of BT or ISO(the specification is optional) ;
- 3) Stylus(standard model: M4-S60-SB6-S58.5).



Notes for purchase

- ◆ As for special stylus, check whether the standard stylus equipped with the EP60 probe can meet the requirements and whether it is necessary to order special stylus;
- ◆ As for the probe taper shank, verify the taper hole's standards and specifications of the machine tool spindle before ordering the probe; The uncommonly used standard and specifications of the taper shank will lead to the increase of probe price and the delay of delivery time, The taper shank provided by us for the probe isn't equipped with the pull stud;
- ◆ Verify whether the spindle of the CNC machine tool uses ceramic bearings. If ceramic bearings are used, please choose TP60 trigger probe.



Technical Parameters

- ◆ Stylus sensing direction: $\pm X, \pm Y, +Z$;
- ◆ Stylus sensing over-travel: $X-Y \pm 15^\circ$, $Z +5$ mm;
- ◆ The trigger force in Z direction: 1000 g;
- ◆ Trigger force in X-Y surface (standard stylus) : 65-130g;
- ◆ Unidirectional repeatability (2σ) : $\leq 2 \mu\text{m}$;
- ◆ Seal grade: IP68.

Technical Characteristics

- ◆ Coaxial adjustment function of probe and shank:
By adjusting the connecting link between the main body of the probe and the taper shank, coaxiality about the center of the measuring ball on the stylus and the center line of the taper shank can be adjusted (the factory precision: $\leq 5 \mu\text{m}$);
- ◆ Six LED indicator lights are used to show the trigger state of the probe.

Basic configuration

- ◆ The standard: M4-S60-SB6-S58.5;
- ◆ Usually, the probe shank is 7:24 taper shank with the BT or ISO standards (the specification is optional) ;
- ◆ A battery, model: CR2, 3.0V, 800 mAh.

Applicable equipment and working condition

- ◆ Suitable for various specifications of machine centers, CNC boring and milling machines, and drilling-tapping machine centers, etc;
- ◆ Suitable for checking work pieces of all kinds of solid materials with electrical conductivity.

Application

- ◆ Setting work-piece coordinate system and machining zero points manually before processing;
- ◆ Detect and control the key dimensions, position coordinates and their precision manually between two processes;
- ◆ Detect precision of the key dimensions, shapes, position after processing.